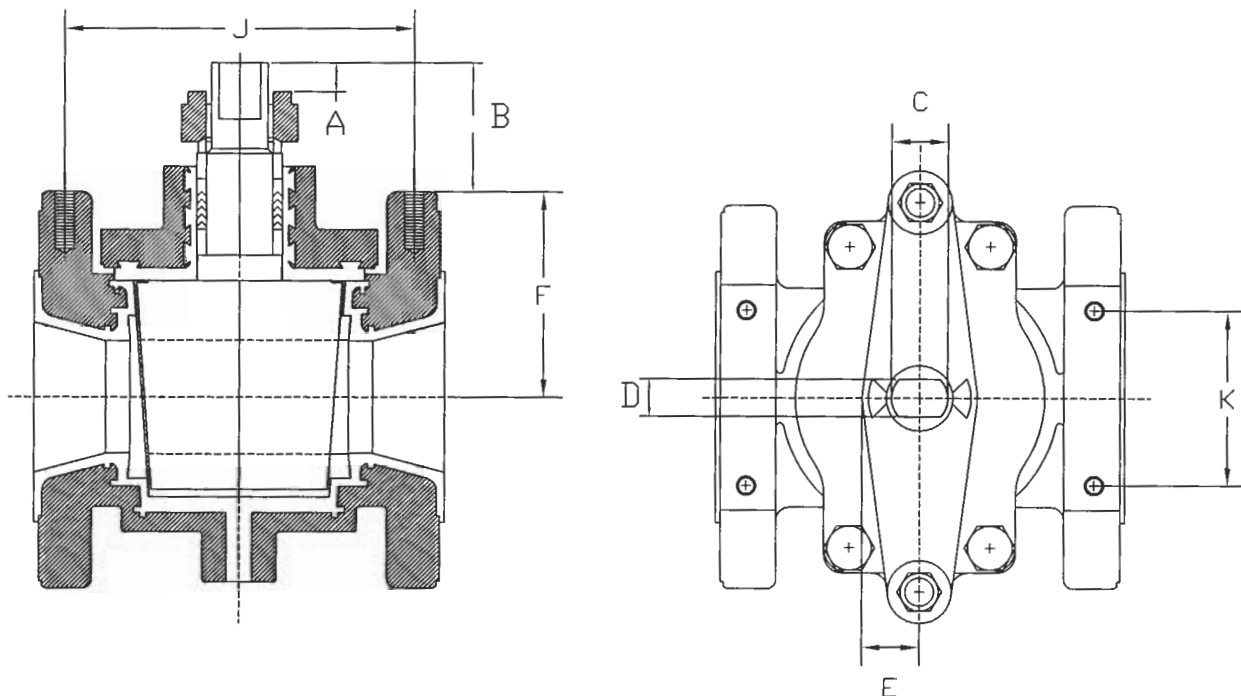


MODEL 790EB-150 PLUG VALVE ACTUATOR MOUNTING DIMENSIONS



VALVE SIZE	A	B	C	D	E	F	J	K	HOLE DIA.	THREAD	THREAD DEPTH
1	1 1/16	2 7/16	3/4	1/2	3/4	2 7/16	4.20	1 3/4	5/16	18UNC	7/8
1.5	5/8	2 7/16	3/4	1/2	1	2 13/16	5.63	1 3/4	5/16	18UNC	1
2	5/8	2 3/16	3/4	1/2	15/16	3 5/16	6.00	2 1/4	5/16	18UNC	1
3	11/16	2 1/2	1 1/16	3/4	1 5/16	4 1/16	6.80	3 1/2	3/8	16UNC	1 1/8
4	15/16	2	1 1/16	3/4	1 1/4	5	7.75	4	1/2	13UNC	1 1/8
6	1 3/4	3	1 11/16	1 1/4	1 1/2	6 11/16	9.20	4	1/2	13UNC	1 1/8
8	1 3/4	1 11/16	1 11/16	1 1/4	1 1/2	7 9/16	10.00	4	1/2	13UNC	1 1/8
TOL:	±1/8	±1/16	±1/64	±1/64	±1/64	±1/64	±1/64	±1/64			

- | | | | |
|---|---|-----------|------|
| 4 | CHANGED 1.5" SIZE DIM.-2 5/16" TO 2 7/16" | 7-13-04 | B.K. |
| 3 | CHANGED "A" DIM. FROM 1 5/8" TO 1 3/4" AND CHANGED TOLERANCE TO ±1/8" | 9 -27-01 | B.K. |
| 2 | CHANGED "B" DIM. FROM 2 11/16" TO 1 11/16" | 6 -8-01 | B.K. |
| 1 | CHANGED "A" DIM. FROM 3/4 TO 1 1/16 AND CHANGED THE EXTENSION LINES. | 12 -21-00 | B.K. |

This drawing shall not be reproduced, copied, lent, disclosed, published, or disposed of, directly or indirectly, nor used for any purpose other than that for which it was specifically furnished

ChemValve, Inc.
Tomball, Texas

Model Number
790EB-150-ACT. MTG. DIM.

Drawn: B.K. Part Name
MODEL 790EB-150

Checked: Drawing Number
79EB15ACTDI2 Rev.
4

Approved: B.K. Date: 3-7-00

No.	Revision	Description	Date	Chk'd
-----	----------	-------------	------	-------