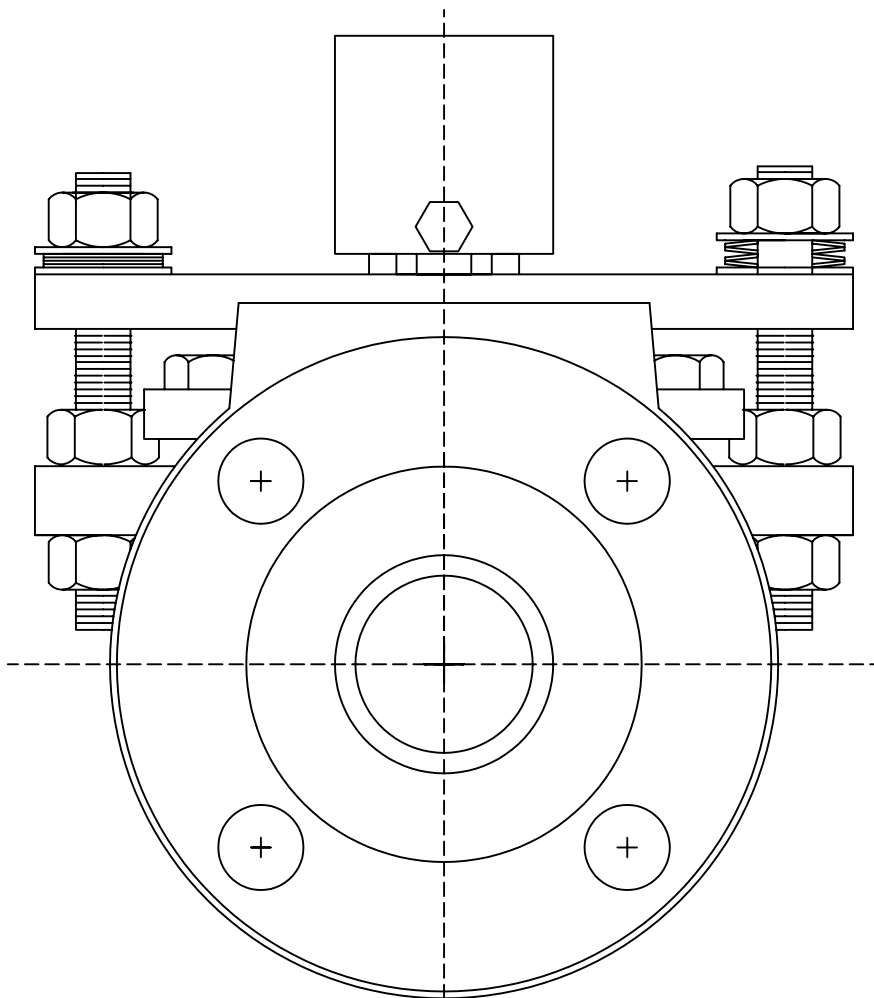


LIVE LOADING OF PACKING FLANGE

NOTES:

1. RIGHT SIDE SHOWS BELLEVILLE SPRINGS RELAXED.
2. LEFT SIDE SHOWS BELLEVILLE SPRINGS COMPRESSED.
3. BE SURE THE SPRINGS ARE TIGHTENED TO WHERE THEY ARE JUST FLAT, DO NOT OVER TIGHTEN!!
4. BE SURE THE PACKING FLANGE IS LEVEL.
5. BE SURE TO ONLY TIGHTEN THE PACKING FLANGE NUTS ONE QUARTER TURN AT A TIME - EACH SIDE - UNTIL THE BELLEVILLE SPRINGS ARE "JUST FLAT".



			This drawing shall not be reproduced, copied, lent, disclosed, published, or disposed of, directly or indirectly, nor used for any purpose other than that for which it was specifically furnished	ChemValve, Inc. Tomball, Texas	
				Model Number 790-LIVE LOADING SCHEMATIC	
				Drawn: B.K.	Part Name
				Checked:	Approved: B.K.
No.	Revision	Description	Date	Chk'd	Drawing Number LIVELOAD
					Date: 4-30-96
					Rev 3