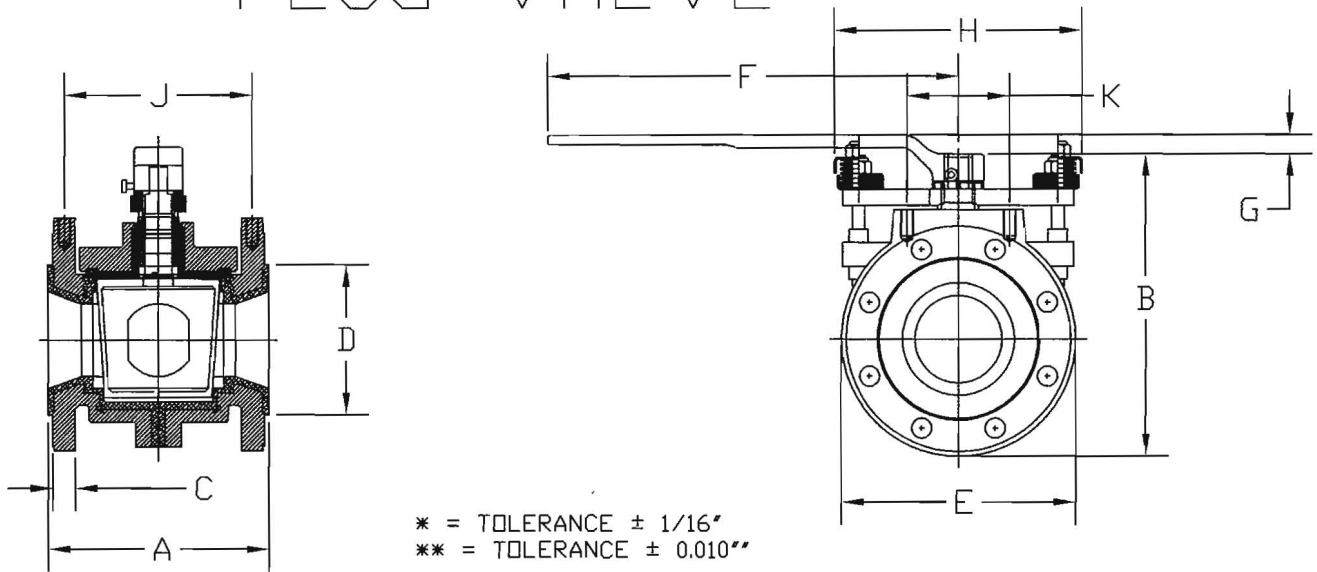


OUTLINE DIMENSIONS OF MODEL 790EB-150 LINED PLUG VALVE



NOMINAL VALVE SIZE	A*	B*	C*	D*	E*	F*	G*	H*	BOLT HOLE DIAM.	DIAM. BOLT CIRCLE	APPROX. VALVE WEIGHT	MOUNTING PAD			FOUR TAPED HOLES	
												J**	K**	HOLE DIAM.	THREAD	THREAD DEPTH
1	5.00"	7.13"	0.44"	2.00"	4.25"	10.0"	1.00"	6.60"	5/8"	3 1/8"	13#	4.20"	1.75"	5/16"	18UNC	7/8"
1.5	6.50"	7.75"	0.56"	2.88"	5.00"	10.0"	1.00"	8.15"	5/8"	3 7/8"	18#	5.63"	1.75"	5/16"	18UNC	1"
2	7.00"	8.50"	0.63"	3.63"	6.00"	10.0"	1.00"	8.15"	3/4"	4 3/4"	26#	6.00"	2.25"	5/16"	18UNC	1"
3	8.00"	10.50"	1.0"	5.00"	7.50"	16.0"	0.75"	9.65"	3/4"	6"	47#	6.80"	3.50"	3/8"	16UNC	1 1/8"
4	9.00"	11.50"	0.94"	6.13"	9.00"	16.0"	0.75"	9.65"	3/4"	7.50"	79#	7.75"	4"	1/2"	13UNC	1 1/8"
6	10.50"	14.75"	1.00"	8.38"	11.00"	22.0"	1.50"	12.31"	7/8"	9.50"	129#	9.20"	4"	1/2"	13UNC	1 1/8"
8	11.50"	20.53"	1.19"	10.62"	13.5"	N/A	N/A	14.39"	7/8"	11.75"	200#	9.97"	7"	1/2"	13UNC	1 1/8"

3 CHANGED TO NEW LIVELOAD SYSTEM 2 CHANGED "C" DIM. FOR 3" SIZE FROM 0.75" TO 1.0". 1 ADDED DIMENSIONS FOR 8"-FS VALVE			11-3-12 3-15-11 2-29-08		B.K. B.K. B.K.		This drawing shall not be reproduced, copied, lent, disclosed, published, or disposed of, directly or indirectly, nor used for any purpose other than that for which it was specifically furnished	ChemValve, Inc. Tomball, Texas			Model Number 790EB-150-OUTLINE DIMENSIONS		
								Drawn: B.K.		Part Name 790EB-150			
No. Revision Description			Date		Chk'd		Checked:		Approved: B.K.		Drawing Number 79EB15DIM		Rev. 3