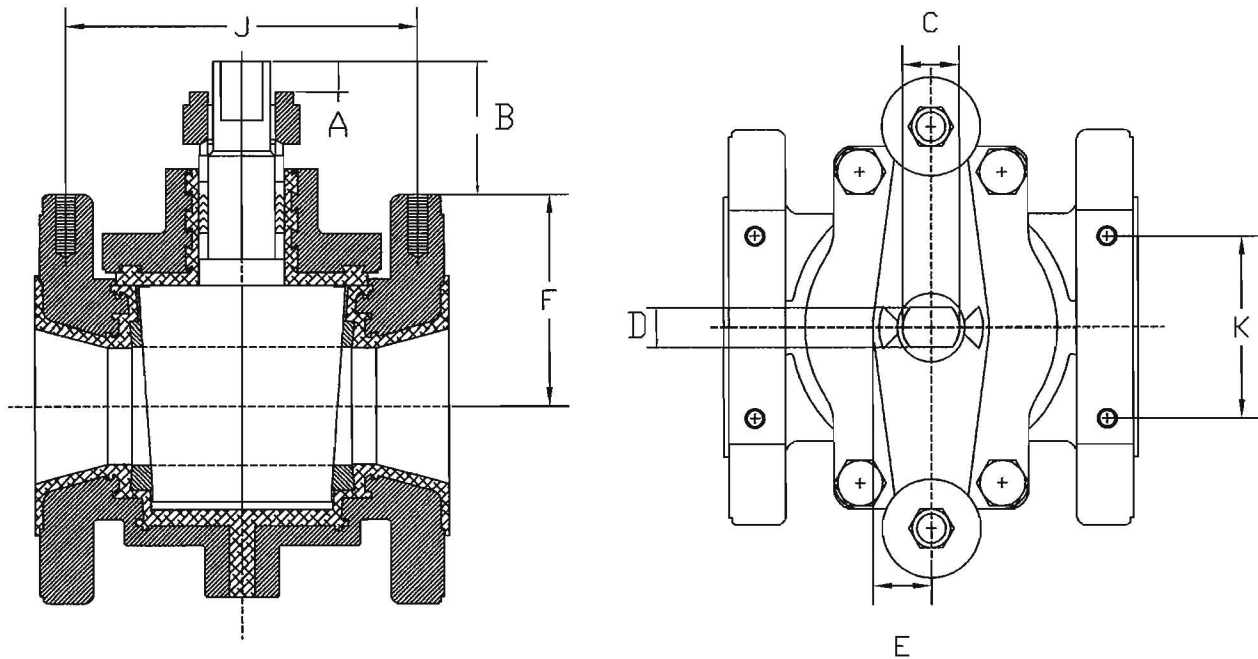


MODEL 790EB-150 PLUG VALVE ACTUATOR MOUNTING DIMENSIONS



VALVE SIZE	A	B	C	D	E	F	J	K	HOLE DIA.	THREAD	THREAD DEPTH
1	1 1/16	2 7/16	3/4	1/2	3/4	2 7/16	4.20	1 3/4	5/16	18UNC	7/8
1.5	5/8	2 7/16	3/4	1/2	1	2 13/16	5.63	1 3/4	5/16	18UNC	1
2	5/8	2 3/16	3/4	1/2	15/16	3 5/16	6.00	2 1/4	5/16	18UNC	1
3	11/16	2 1/2	1 1/16	3/4	1 5/16	4 1/16	6.80	3 1/2	3/8	16UNC	1 1/8
4	15/16	2 1/8	1 1/16	3/4	1 1/4	5	7.75	4	1/2	13UNC	1 1/8
6	1 3/4	3 1/2	1 11/16	1 1/4	1 1/2	6 11/16	9.20	4	1/2	13UNC	1 1/8
*8	2 9/16	7 1/8	2	1 15/32	1 9/16	7	9 31/32	7	1/2	13UNC	1 1/8
* - SEE DRAWING 0879EB15-FS-ACT-MTG-DIM - REV.-2 FOR TOP VIEW OF 8" VALVE											
TOL:	±1/8	±1/8	±1/64	±1/64	±1/64	±1/64	±1/64	±1/64			

9 CHANGED 4"-DIM-K-TO 7" AND ADDED * NOTE. 8 CHANGED 4"-DIM-B-TO 2 1/8" 7 ADDED 8" DIMENSIONS AND DELETED 8" BY 6" DIM. 6 DELETED 8" - FULL SIZE (FS) DIMENSIONS 5 ADDED 8" - FULL SIZE (FS) DIMENSIONS TO CHART 4 CHANGED 1.5" SIZE DIM.-2 5/16" TO 2 7/16" 3 CHANGED "A" DIM. FROM 1 5/8" TO 1 3/4" AND CHANGED TOLERANCE TO ±1/8". 2 CHANGED "B" DIM. FROM 2 11/16" TO 1 11/16" 1 CHANGED "A" DIM. FROM 3/4 TO 1 1/16 AND CHANGED THE EXTENSION LINES.	4-26-13 B.K. 2-19-13 B.K. 11-20-12 B.K. 8-19-08 B.K. 2-14-08 B.K. 7-13-04 B.K. 9 -27-01 B.K. 6 -8-01 B.K. 12 -21-00 B.K.	This drawing shall not be reproduced, copied, lent, disclosed, published, or disposed of, directly or indirectly, nor used for any purpose other than that for which it was specifically furnished	ChemValve, Inc. Tomball, Texas	
			Model Number 790EB-150-ACT. MTG. DIM.	
Drawn: B.K.		Part Name MODEL 790EB-150		
Checked:		Drawing Number 79EB15ACTDI2		
Approved: B.K.		Rev. 9		
Date: 3-7-00				
No.	Revision	Description	Date	Chk'd